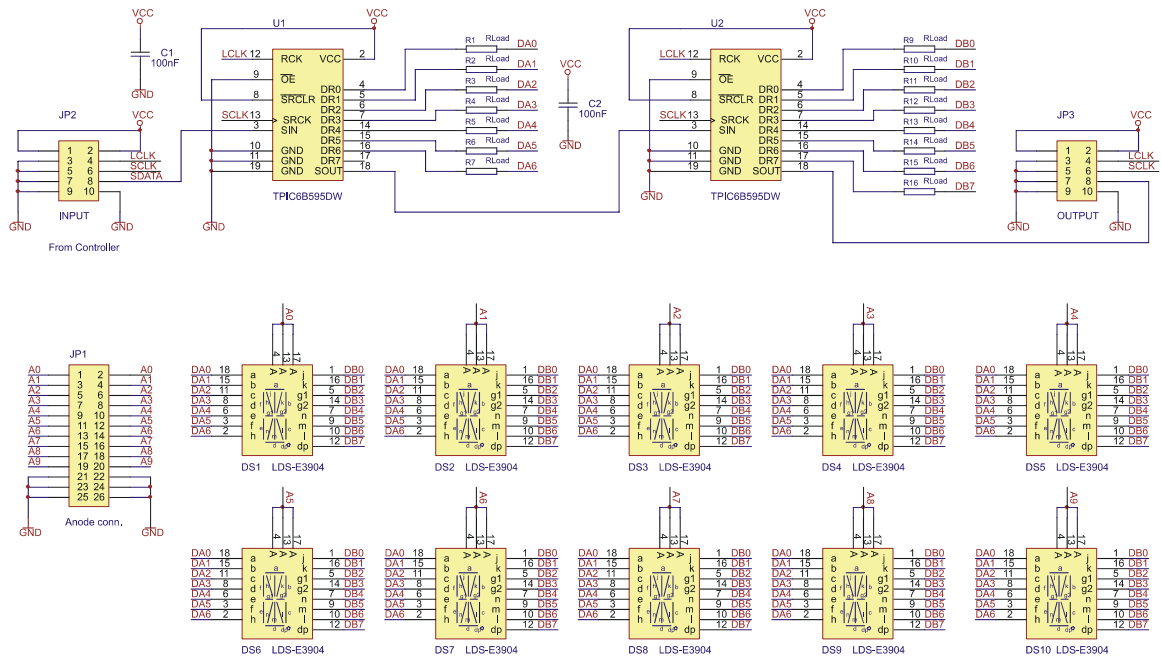


In Schematic bellow is shown example of ten fourteen segment indicators LDS-E3904 driven from two tpic6b595.



If you have any questions or find some errors or misunderstandings in this documentation, do not hesitate to contact us on the next E-mails: support@itsdisplays.com or its@itsdisplays.com , and we try to answer you as soon as possible. Refer to <http://www.itsdisplays.com/> site to download Schematics and PCB source files.