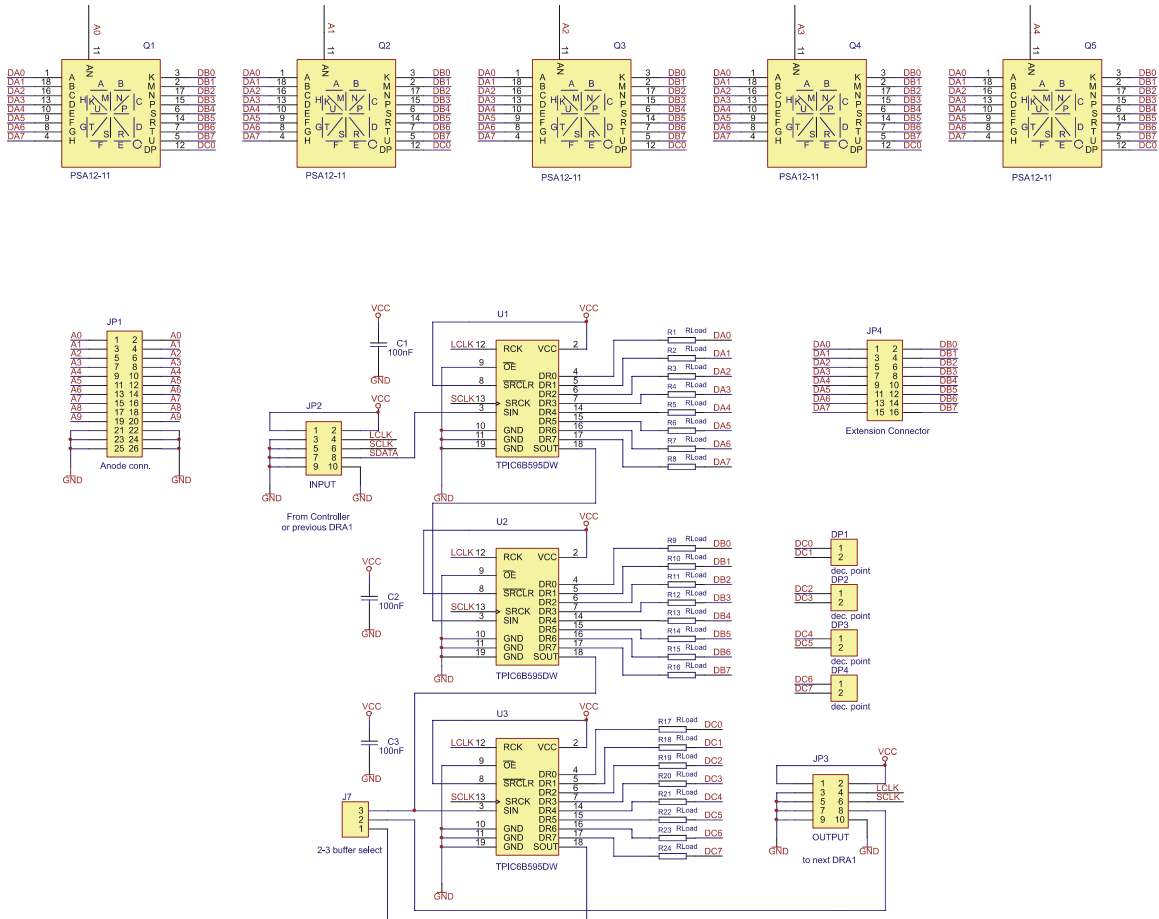


In Schematic below is shown example of five sixteen segment indicators PSA12-11EWA driven from tree tpic6b595. Via extension connector JP4 is transferred connections for remain five indicators to the passive board. DP1-DP4 is extension connectors for decimal point for other blocks.



If you have any questions or find some errors or misunderstandings in this documentation, do not hesitate to contact us on the next E-mails: support@itsdisplays.com or its@itsdisplays.com, and we try to answer you as soon as possible. Refer to <http://www.itsdisplays.com/> site to download Schematics and PCB source files.