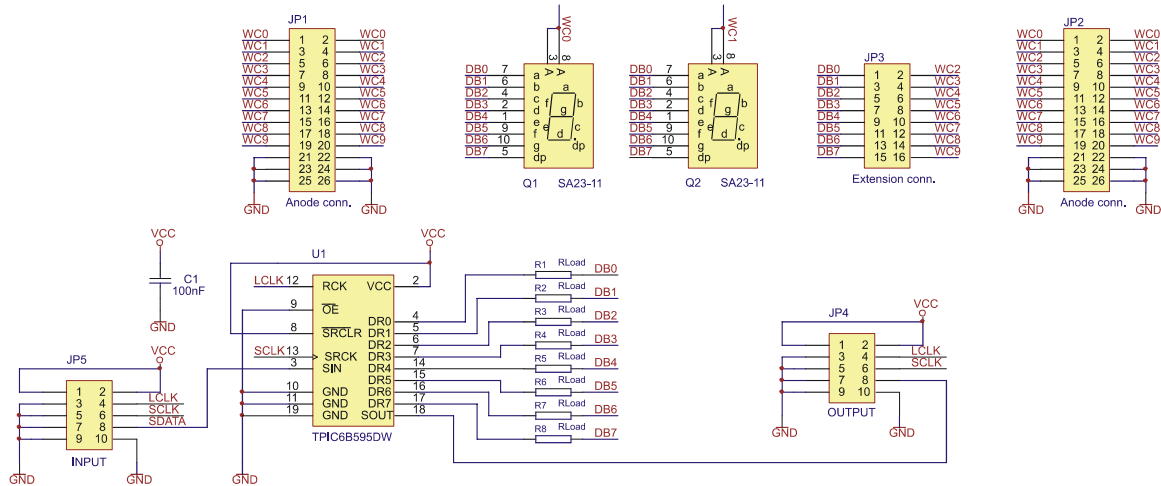


In Schematic bellow is shown example of two seven segment indicators SA23-11GWA driven from tpic6b595. Via extension connector JP3 is transferred connections for remain eight indicators to the passive board.



If you have any questions or find some errors or misunderstandings in this documentation, do not hesitate to contact us on the next E-mails: support@itsdisplays.com or its@itsdisplays.com , and we try to answer you as soon as possible. Refer to <http://www.itsdisplays.com/> site to download Schematics and PCB source files.