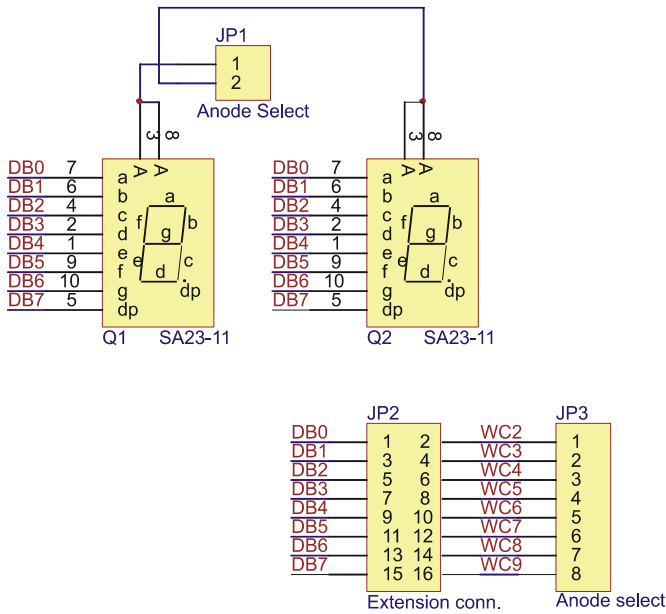


In Schematic below is shown example of extension of two seven segment indicators SA23 - 11GWA extension board. Cathodes of SA23 - 11 is connected via extension connector JP2. With JP3 and JP1 is selected desired address of current indicators.



If you have any questions or find some errors or misunderstandings in this documentation, do not hesitate to contact us on the next E-mails: [support@itsdisplays.com](mailto:support@itsdisplays.com) or [its@itsdisplays.com](mailto:its@itsdisplays.com) , and we try to answer you as soon as possible. Refer to <http://www.itsdisplays.com/> site to download Schematics and PCB source files.