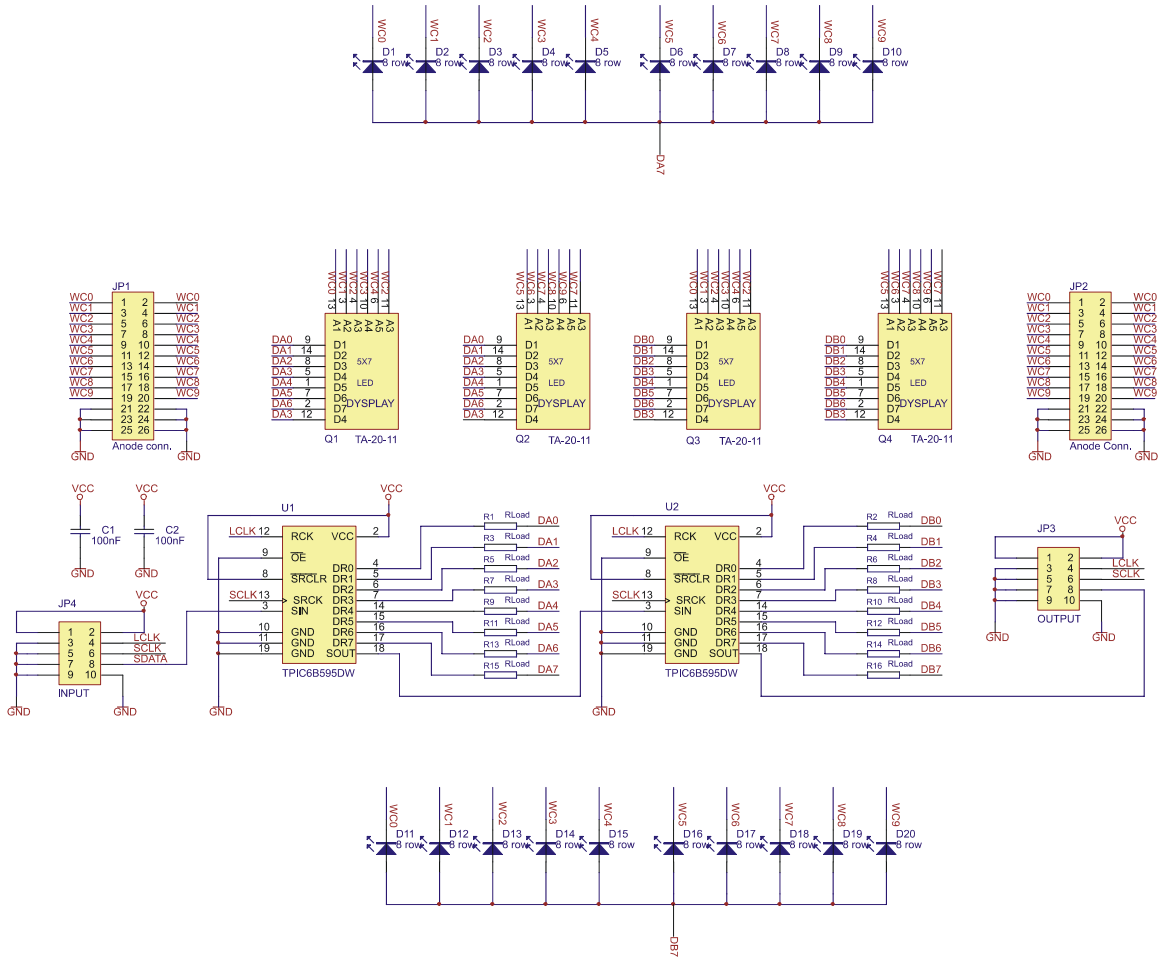


In Schematic bellow is shown example of four dot matrix indicators TA20-11SRWA driven from tpic6b595. Optional is added eight rows with single LED's.



If you have any questions or find some errors or misunderstandings in this documentation, do not hesitate to contact us on the next E-mails: support@itsdisplays.com or its@itsdisplays.com, and we try to answer you as soon as possible. Refer to <http://www.itsdisplays.com> site to download Schematics and PCB source files.