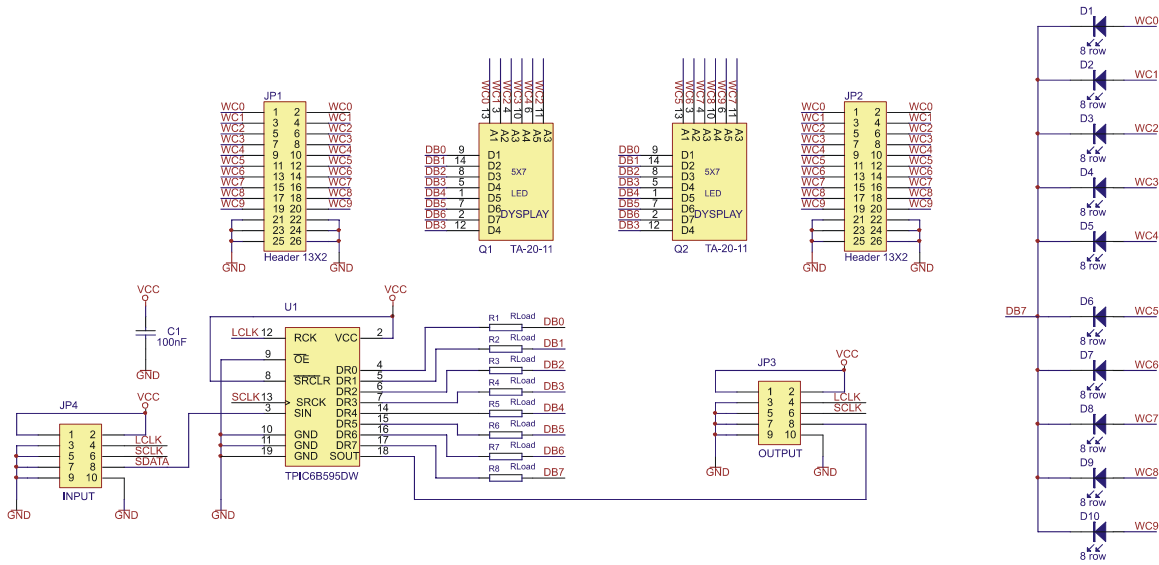


In Schematic below is shown example of two dot matrix indicators TA20-11SRWA driven from pic6b595. Optional is added eight rows with single LED's.



If you have any questions or find some errors or misunderstandings in this documentation, do not hesitate to contact us on the next E-mails: [support@itsdisplays.com](mailto:support@itsdisplays.com) or [its@itsdisplays.com](mailto:its@itsdisplays.com) , and we try to answer you as soon as possible. Refer to [http://www.itsdisplays.com/](http://www.itsdisplays.com) site to download Schematics and PCB source files.