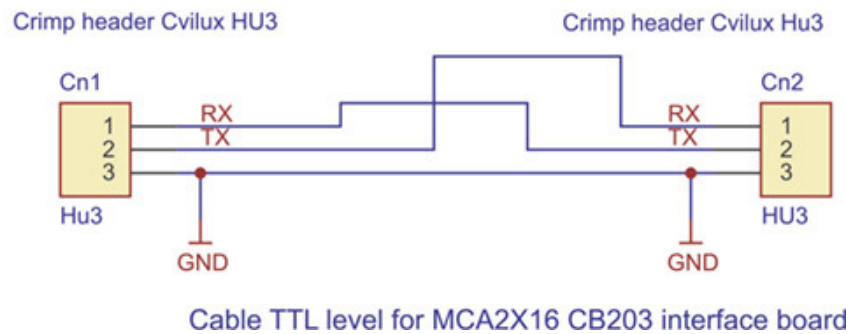
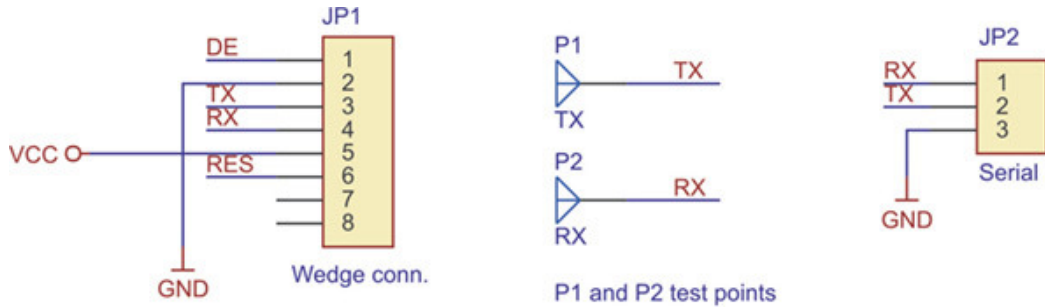


In Schematic bellow is shown CB203 serial channel interface board and cable wiring for MCA2X16 LED display controller. Cable can be longer up to 5 meters. Signal lines RX and TX to the side of MCA2X16 LED display controller are TTL buffered.



If you have any questions or find some mistakes in this document, do not hesitate to contact us on the next E-mails: its@itsdisplays.com or support@itsdisplays.com , and we try to answer you as soon as possible.