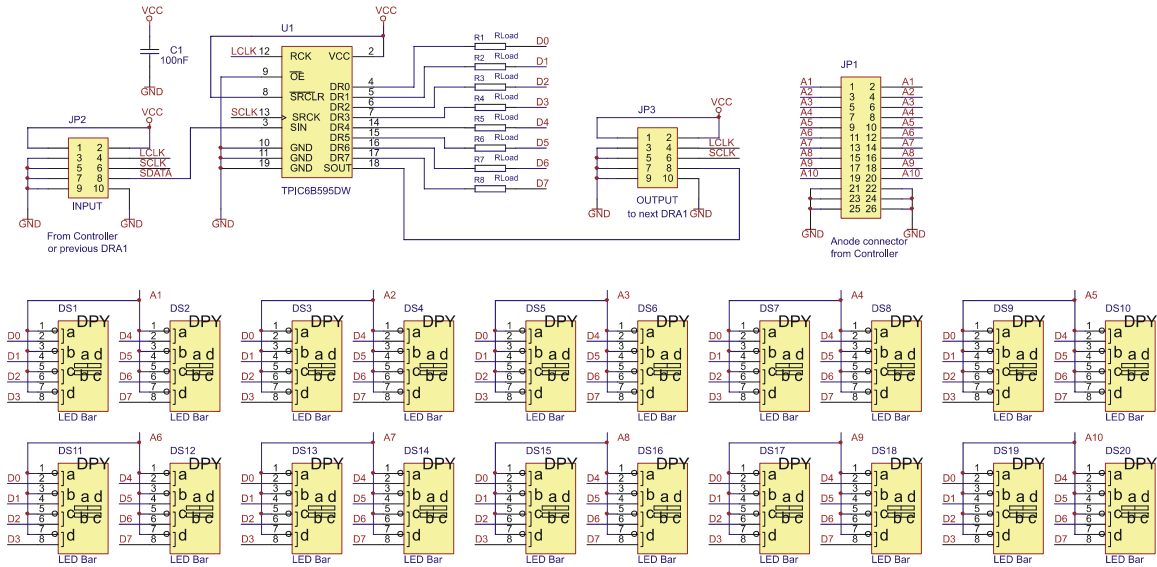


In figure bellow is shown another schematic, similar like matrixbar.pdf that drives LED bar indicators. Each DPY indicator includes four LED's. With TPIC6B595 can be drive 20 indicators (80 bars) and they occupied 10 bytes in Controller's LED buffer.



If you have any questions or find some errors or misunderstandings in this documentation, do not hesitate to contact us on the next E-mails: support@itsdisplays.com or its@itsdisplays.com , and we try to answer you as soon as possible. Refer to <http://www.itsdisplays.com> site to download Schematics and PCB source files.